

NT1M-200

Installation & Mounting Instructions

Introduction

This information is to be used in the installation of the circuit pack version of the 2B1Q NT1 rack, type NT1M-200. For additional information: Refer to the ISDN Customer Premises Planning Guide (AT&T Practice 533-700-100).

Installation Restrictions

- The NT1M-210 should only be installed in restricted access areas in accordance with articles 110-16, 110-17, and 110-18 of the National Electric Code, ANSI/NFPA No. 70.
- For ambient temperatures above 100F (39C) a distance of 4" or more between frames must be maintained.
- Never install telephone wiring during a lightning storm.
- Never install telephone jacks in wet locations unless the jack is specifically designed for wet locations.
- Use caution when installing or modifying telephone wires.

Observe caution as mentioned before unpacking. The following installation sequence is recommended:

Wall mounting

- Mount the flanges to the frame.
- Mount the NT1M-200 frame to the wall with screws provided.

Rack mounting

- Select the appropriate flange positions for 19" or 23" racks.
- Mount the NT1M-210 frame in the rack.

Power connection

- Terminate the power wires on the 110-type connector block. Either individual powering or multiple powering of NT1's is possible.
- Plastic caps (included) are used to cover each terminated wire pair.

- Insert the 50-pin LINE and TERMINAL connectors wired in accordance with the following diagram.

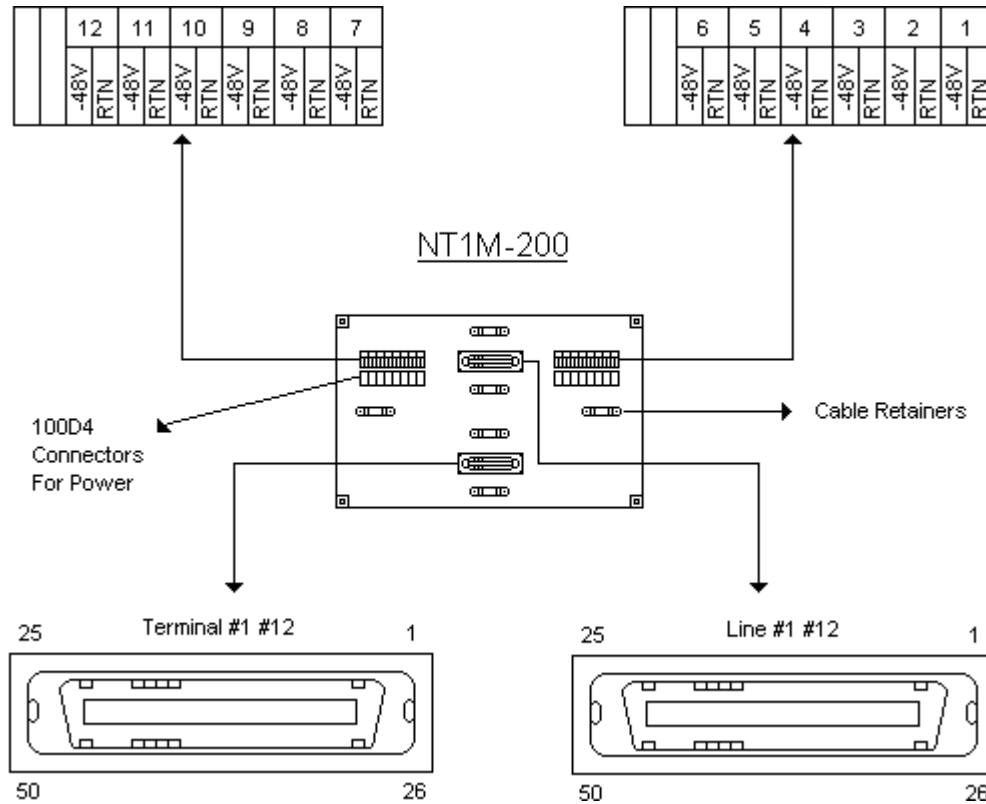
- Unpack NT1 circuit packs and set the dipswitches as necessary. Observe precautions for handling electrostatic sensitive devices. Insert the circuit packs.

- Follow the NT1 installation instructions.

Note: NT1 circuit packs can be inserted and removed from an operational NT1M-200 without affecting the performance of the other NT1 units.

The following diagram shows the NT1M-200 connectors. The LINE and TERMINAL connectors are 50-pin female Amphenol connectors. When powering NT1s with the 1145B supply, a good rule of thumb is to connect three NT1s to one power port.

- LINE #1 - #12 - 12 U-interface tip and ring inputs.
- TERMINAL #1- #12 - 12 T-interface (two-pair) outputs.
- 110 D4 Blocks – Individual numbered inputs for NT1 power.



25-Pair Connector Assignment (for NT1 racks)

Rear Side		NT1 No.											
Type	Signal (note)	1	2	3	4	5	6	7	8	9	10	11	12
Line	Ring	1	3	5	7	9	11	13	15	17	19	21	23
	Tip	26	28	30	32	34	36	38	40	42	44	46	48
Terminal	Xmt (+)	1	3	5	7	9	11	13	15	17	19	21	23
	Xmt (-)	26	28	30	32	34	36	38	40	42	44	46	48
	Rcv (-)	2	4	6	8	10	12	14	16	18	20	22	24
	Rcv (+)	27	29	31	33	35	37	39	41	43	45	47	49