

NT1U-200 Installation & Mounting Instructions

Introduction

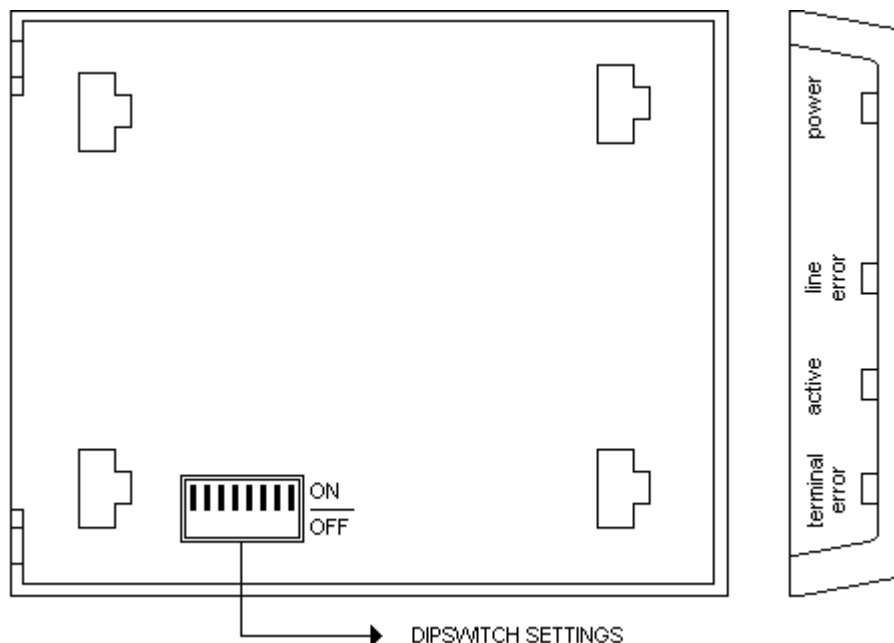
This information is to be used in the installation of the circuit pack version of the AT&T 2B1Q NT1 (NT1U-200). Some typical installation examples are given. Details and other possible installation configurations can be found in the ISDN Customer Premises Planning Guide (AT&T Practice 533-700-100).

Installation Restrictions and warnings

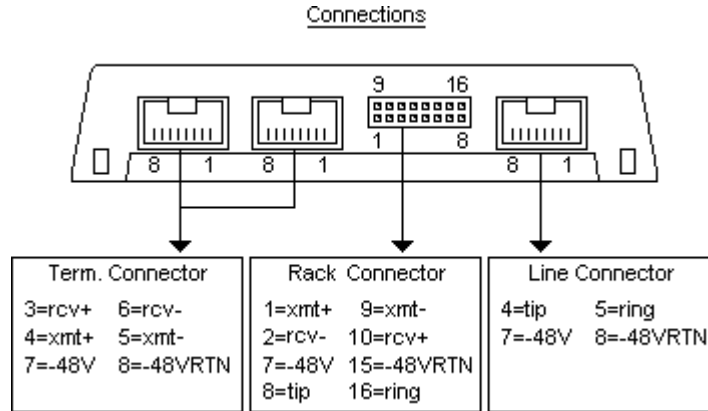
- Never install telephone wiring during a lightning storm.
- Never install telephone jacks in wet locations unless the jack is specifically designed for wet locations.
- Never touch un-insulated telephone wires or terminals unless the telephone line has been disconnected at the network interface.
- Use caution when installing or modifying telephone wires.
- For powering use only a Telecommunication Level Power Source.
- Do not mount the NT1U-200 within 12" of a heat source.
- In case of magnetic mounting do not place the NT1U-200 greater than 4 feet above the floor.

General

- Before mounting the NT1U-200 check that the dipswitch settings are in accordance with the premises wiring configuration (see *Wiring Configurations* for examples).



Dipswitches & Wiring Configurations



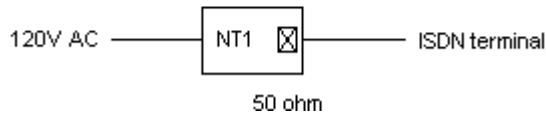
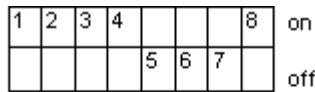
Switch Settings

The dipswitches on the rear of the NT1U-200 must match the premises wiring between the NT1 and terminal. They provide the following functions:

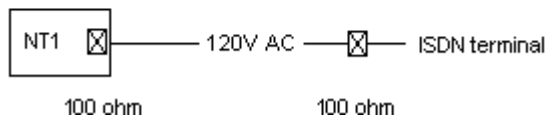
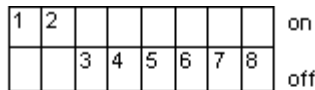
SWITCH	OFF FUNCTION	ON FUNCTION
1, 2	No termination	Termination present
3, 4	100 Ohm termination	50 Ohm termination
5, 6, 7	Not used	
8	Point To Point (PTP)	Passive Bus (PB)

Two typical wiring configurations with required switch settings are:

- NT1 collocated with terminal (default factory setting):



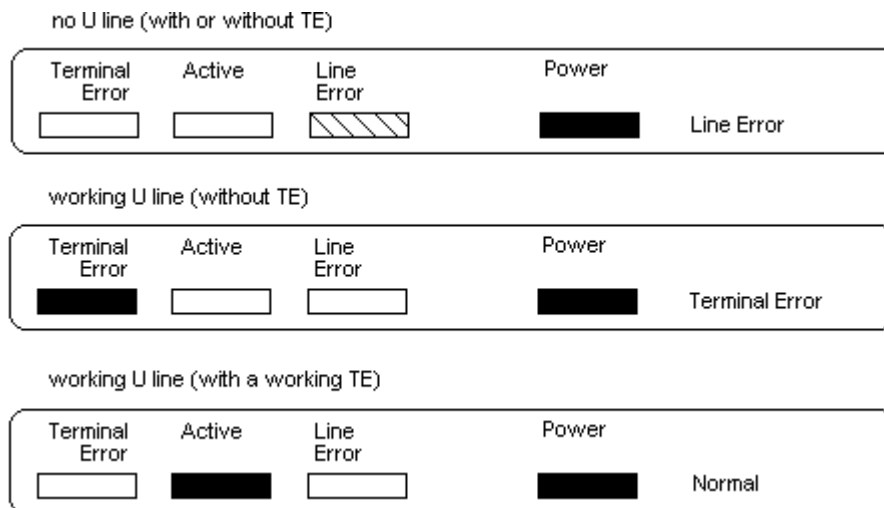
- NT1 in wiring closet/equipment room:



Installation Check

Install the NT1 including applicable wiring to terminal, power supply, and an active 2-wire ISDN line. The normal power up procedure is as follows:

1. Switch on the external power supply or insert the NT1 into a powered NT1M-200 rack.
2. A self-test diagnostic will light all indicators for about 1 second.
3. After an activation period of max. 15 seconds, a properly functioning NT1U-200 will provide one of the following status displays:



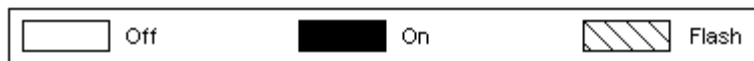
See the following diagram for status display other than those shown above for the stated condition.

Status Indicators

NT1 Status Indication

The four NT1 indicators, when taken together, provide the following status information:

Terminal Error	Active	Line Error	Power	
				No input power
				Power-up self test (1 sec)
				Self test error
				Input power reversed or too low
				Line error w/o sealing current
				Line error w/ sealing current
				Terminal error / no TE
				Normal
				Network MLT test
				Loss of signal w/o TE present



Any status display other than those shown above indicates improper NT1 operation. Push the reset switch or, if no improvement is obtained, refer to AT&T Practice 533-700-100.